

### GFLO High Performance Single Seated Globe Control Valve

Body type	: 2way, 3way, angle & jacketed
Size	: 0.5" to 30.0"
Pressure Class	: Up to ANSI CL 4500
Body Material	: All castable alloys
End Connections	: Flanged, screwed, butt and socket welded
Bonnet	: Standard, extended, cryogenic & bellow sealed
Guiding	: Heavy duty double top stem
Gland Packing	: PTFE, braided PTFE, grafoil, low fugitive emission
Gaskets	: PTFE, spiral grafoil
Seat Ring	: Clamped-in, self aligned
Plug	: Solid one piece construction with large stem dia.
Characteristics	: Equal percentage, linear and on-off
Special Trims	: CAVFLO, MEGAFLO, GFLO VC
Actuator	: Linear spring cylinder, fully field reversible
Shut off class	: With metal seat - ANSI IV or V and replaceable soft seat - ANSI VI



### VFLO High Performance V-Ball Control Valve

Body type	: One-Piece VFLO Ball, straight-through
Size	: 0.5" to 18.0"
Pressure Class	: Up to ANSI CL 900
Body Material	: All castable alloys
End Connections	: Flangeless, flanged (integral and separable flange) Gland
Packing	: PTFE, braided PTFE, grafoil
Seat Ring	: Clamped-in, self aligned, bi-directional
Ball	: Segmented V-notch ball, reduces clogging, shearing action fibrous fluids
Shaft	: Splined-No lost motion or dead band
Characteristics	: Equal percentage, linear and on-off
Range ability	: 300:1
Actuator	: Rotary spring cylinder, fully field reversible
Shut off class	: With metal seat - ANSI IV and replaceable soft seat - ANSI VI



### DISKFLO High Performance Wafer style Butterfly Control Valve

Body type	: Wafer, light in weight, provides large flow and minimum pressure drop
Size	: 2.0" to 42.0"
Pressure Class	: Up to ANSI CL 1500
Body Material	: All castable alloys
End Connections	: Wafer, lugged, flanged
Gland Packing	: PTFE, braided PTFE, grafoil
Seat Ring	: Clamped-in, self aligned
Disc	: Double eccentric cammed
Shaft	: Splined no lost motion or dead band
Characteristics	: Equal percentage, linear and on-off
Actuator	: Rotary spring cylinder, fully field reversible
Shut off class	: With metal seat - ANSI IV and replaceable soft seat - ANSI VI



### KZ-1000 GLOBE Specifications

Body type	: Globe
Size	: 0.5" to 12.0"
Pressure Class	: ANSI CL150 to ANSI CL400
End Connections	: Integral Flange Body Material: Carbon Steel, Chrome Moly, 316SS, 304SS, Duplex SS, Monel, Hastelloy, Zirconium, Titanium Tungsten Carbide, Ceramic, Zirconium, Titanium
Trim Material	: 316SS, 304SS, Alloy 6, 416SS, 440SS, Bronze, Monel 400, Alloy 20, Duplex SS, Hastelloy, Inconel,
Shut off class	: Class IV, Class V and Class VI
Characteristics	: Equal Percentage, Linear and Quick Open
Air Pressure	: 2.0 to 10.0 Bar
Rangeability	: 50:1 Gland
Packing	: PTFE V Ring, Braided PTFE, Grafoil, Low Fugitive Emission
Special Trims	: Anti-Cavitation, Noise Attenuation
Actuator	: Pneumatic Diaphragm / Electric



### GFLO Choke valves

offer superior performance and erosion protection in high pressure drop liquid, gas and 2-phase flow applications.

#### Technical Data

Body type	: Angle, Globe
Size	: 1.0" to 12.0"
Rating	: Up to API 10,000
End Connection	: Flanged, Butt Weld
Body Material	: WCB, LCC, 316SS, Duplex SS
Gland Packing	: PTFE, Grafoil
Trim	: Stellite, Duplex SS, Tungsten Carbide.
Characteristics	: Linear, Bi-Linear, =%
Actuator	: Manual, Pneumatic Spring Cylinder.
Shut off class	: ANSI Class V.

### SEVERE SERVICE

#### Applications:

- Anti-cavitation trims
- Noise attenuation trims Multistage "velocity control" anti-cavitation
- Trims for liquid applications
- Multistage "velocity control" noise attenuating trims•
- Choke applications

### EFLO Features

#### Design Features

- Heavy Duty Industrial Design
- High Cv Capacity
- High Rangeability (160:1)
- Different Trim Sizes
- Low Break Out Torque
- Metal Seat – Class IV Shutoff
- Soft Seat – Class VI Shutoff
- High Torque Actuator
- Wide Material Availability

#### Ease of Maintenance:

- Minimal Spare Parts Requirements
- High degree of interchangeability between pressure ratings
- Actuators are field reversible from fail closed to open and vice versa
- 3 actuator sizes typically cover 95% of all actuator requirements for both fail open and fail closed

#### Quality Assurance

- ISO 9001
- Hydrostatic test to ASME B16.34
- Seat leak test to ASME / FCI 70-2



## CONTROL VALVE POSITIONERS AND ACCESSORIES

Smart Positioner, Electro Pneumatic Positioner, Pneumatic Pneumatic Positioner, Air Filter Regulator, Volume Booster, lock Up Valve, Snap Acting Relay, Solenoid Valve , Position Transmitter, Limit Switch Box, IP Converter, Smart Positioner.



Electro Pneumatic Positioner



YT-2400R (Rorary Type)



Volume booster relay, YT-300



SMART POSITIONER YT-3400 SERIES



YT-2400L (Linear Type)



YT-2501 Remote Type

**MASCOT PRV-100** is self-operated pressure control valve , which is composed of body assembly, actuator, positioning spring ,stainless steel bellows , external pressure tap and all that . The valve doesn't require any auxiliary energy from external supply sources, by use of medium itself pressure as motive power, it can automatically control and stabilize the medium pressure . It may be suitable for steam, non -corrosive gas , liquid and steam in various process systems.



## High Performance Flush Bottom Discharge Valve

**FLUSHFLO** is a high performance flush bottom discharge valve suitable for tank and vessel draining. It is suitable in all castable alloy, jacketed valve body and glass Teflon lining up to 6.0

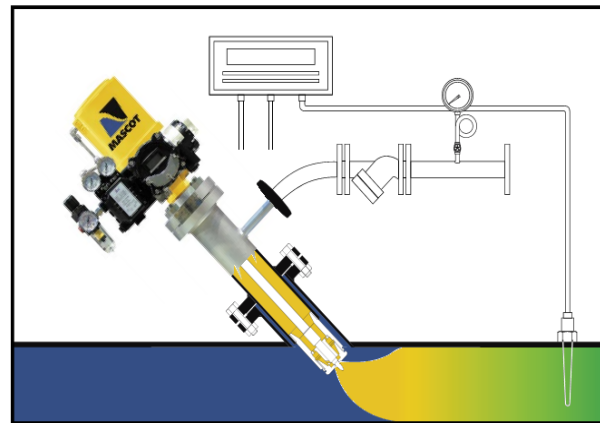


## DEFLO Desuperheater MSD/VSD

- Boiler Feedwater Recirculation valves
- Spraywater attemperator valves
- Soot Blower Steam pressure control
- Deaerator level and Pressure control
- Main Feedwater control valve
- Turbine Bypass application
- Condenser Level, spill over and recirculation applications
- Pressure reducing applications
- High Pressure drop applications
- High temperature applications.



## DEFLO VSD





## MANUAL AND ACTUATED VALVES

### Manual Valve:

Gate valve, Globe Valve, Check Valves, Ball Valves, Butterfly valves, Plug valves, Choke Valves, Pressure Safety Valves

### Actuator:

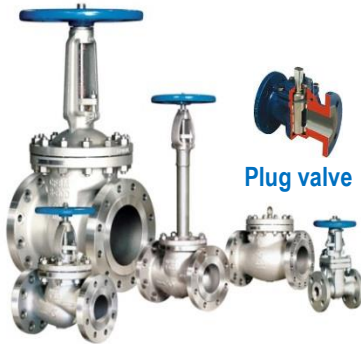
Gear, Pneumatic, Hydraulic, Electric.



Actuated Valves



PRV



Plug valve

Gate, Globe, Check valve



Trunnion ball valves



12" 900# Soft Seated Butterfly Manual Control Valve



DISKFLO Cryogenic Butterfly Control Valve - Manual Operations

## TYPICAL PROCESS WHERE MASCOT CONTROL VALVES ARE WIDELY USED:

### Oil and Gas

- Compressor Recycle Valves
- Gas-to-flare Valves
- Water and Gas injection Valves
- Cavitating Service Valves
- Flashing Service Valves
- High Pressure Let Down Valves
- Noise Attenuating Valves
- Wellhead Control Valves
- High Rangeability Applications
- High Pressure Drop Applications
- Velocity Control Applications
- Tight Shut-Off Applications

### LNG Industry:

- Vent-to-Flare
- HP Emergency Flare
- Compressor Recycle applications
- H<sub>2</sub>S & CO<sub>2</sub> Stripper
- Slug Catcher
- LP, MP & HP Pre-cooling
- Letdown valves
- Pressure Reduction
- Joule-Thompson Letdown
- Sour Gas Removal
- Steam Generation

### Petro-Chemical

- Methanol Production
- Ethylene
- Toluene
- Propylene
- Steam Utilization

### Refining

- Crude Oil Distillation
- Naphtha Hydrotreating
- Catalytic Reforming
- Hydrocracking
- Alkylation
- Coking
- Steam Generation

### Chemical

- Fertilizer Production
- Ammonia Nitrates
- Nitric Acid
- Cyanide
- Steam Utilization
- Vinyl Acetates
- Styrene -Rubber / Plastics

For More Info and Request for Quotation,

Please Contact :

**PT. KARYA TEKNIK PERKASA**

Cluster Taman Sari

Blok HN 5 no 61 Kota Harapan Indah 2

Bekasi - Jawa Barat - Indonesia

email : sales@ptktp.com

Website: www.ptktp.com

MASCOT Industrial

Phone: +61 3 9357 6555 Fax: +61 3 9357 6566

15A Rantor Street Campbellfield, Victoria 3061 Australia

e-mail: sales@mascot-industrial.com

Web: www.mascot-industrial.com

INDONESIA

contact person: K Rosman

e-mail: info@ptktp.com

HP no: +62 8111 6666 08